








Group:	MDA/MDP	Notes: Refer to SP1018-DWG for major component drawing. Refer to TSB-3019 for hardware kit breakdown. Refer to TSB-1116 for remote regulator cover.
Form:	SP1018	
Date:	July 7, 2017	
File:	Alternator Parts List Section	

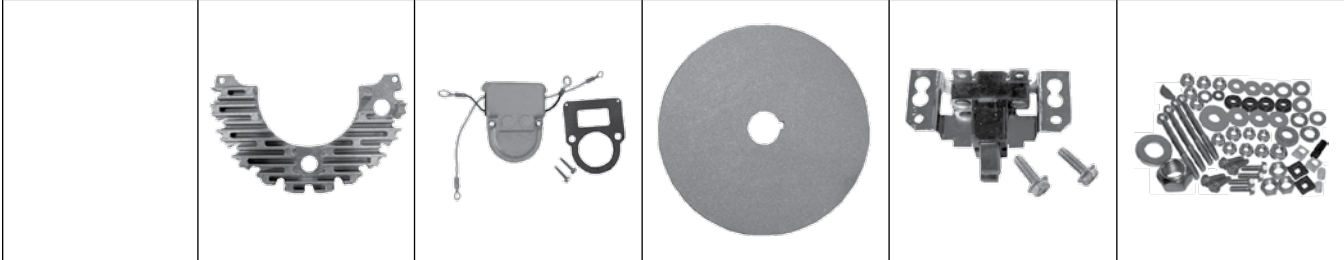
Component View	Rotor Assembly	Stator Assembly	Front Housing Spacer, bearing, retainer	Rear Housing with Bushing	Rectifier Assembly
				 or 	 or 
Model	1	2	3	4	5
MDA2905	A020102692S	A023104978S	A014102451S	A012102459S	R051103705S
MDA2919	A020104903S	A023105145S	A014104902S	A012105105S	A051105103S
MDA2923	A020102692S	A022102492S	A014102457S	A012103708S	R051103705S
MDA2924	A020102692S	A022102493S	A014102457S	A012103708S	R051103705S
MDA2931	A020102692S	A022102493S	A014103517S	A012103519S	R051103705S
MDA2932	A020104755S	A023104978S	A014103703S	A012103708S	R051103705S
REV. F	A020104903S	A023105145S	A014104902S	A012105105S	A051105103S
MDA2934	A020104755S	A023104978S	A014103688S	A012102459S	R051103705S
MDA2945 GE270214	A020104903S	A023106009S	A014103688S	A012106007S	A051105846S
MDA2947 GE273695	A020104903S	A023106009S	A014103688S	A012106007S	A051105846S
MDA3920	A020102855S	A023104979S	A014102454S	A012102459S	R051102487S
MDA3921	A020102855S	A023104979S	A014102451S	A012102459S	R051102487S
MDA3922	A020102893S	A023104979S	A014102457S	A012103708S	R051102487S
MDA3925	A020102855S	A023104979S	A014102457S	A012103708S	R051102487S
MDA3927	A020102893S	A023104979S	A014103443S	A012103439S	R051102487S
MDA3928	A020102855S	A023104979S	A014103454S	A012102459S	R051102487S
MDA3929	A020102893S	A023104979S	A014103443S	A012103439S	R051102487S
MDA3946	A020105434S	A023105432S	A014104902S	A012105105S	A051105431S
MDA3946-1	A020105434S	A023105432S	A014104902S	A012105105S	A051105431S
MDA5909	A020104903S	A023105838S	A014104902S	A012105105S	A051105846S
MDP2934	A020104755S	A023104978S	A014103841S	A012104033S	R051103705S
MDP3938H	A020102893S	A023104979S	A014103841S	A012105085S	R051102487S
MDP3938H-P	A020102893S	A023104979S	A014103841S	A012105085S	R051102487S
MDP3939H	A020105169S	A023105171S	A014103841S	A012105085S	R051102487S
MDP3939H-P	A020105169S	A023105171S	A014103841S	A012105085S	R051102487S
MDP3940H	A020102893S	A023104979S	A014103841S	A012105085S	R051102487S
MDP3941	A020102893S	A023104979S	A014103841S	A012105085S	R051102487S
MDP3941H	A020102893S	A023104979S	A014103841S	A012105085S	R051102487S
MDP3941H-1	A020102893S	A023104979S	A014103841S	A012105085S	R051102487S
MDP3941H-2	A020102893S	A023104979S	A014103841S	A012105085S	R051102487S

To convert alternators to use a remote regulator replace existing regulator with K185103982S cover. Please refer to TSB-1116 for instructions.

Important: The information contained in this bulletin is intended for use by trained, professional technicians who have the proper tools, equipment, and training to perform the required maintenance described above. This information is NOT intended for 'do-it-yourselfers', and you should not assume that this information applies to your equipment. If you have any questions regarding this information please visit our website at www.prestolite.com, or contact our technical service department at:

Group:	MDA/ MDP	Notes: Refer to SP1018-DWG for major component drawing. Refer to TSB-3019 for hardware kit breakdown.
Form:	SP1018	
Date:	July 7, 2017	
File:	Alternator Parts List Section	





Component View	Heatsink	Regulator/ Cover	Fan	Brush Kit	Hardware Kit
----------------	----------	---------------------	-----	-----------	--------------



Model	6	7	8	9	10
MDA2905	A966103704S	8RG2118S	A041103711S	K185103979S	K212103980S
MDA2919	N/A	8RG2137S	A041103711S	K185103979S	K212103980S
MDA2923	A966103704S	8RG2118S	A041103711S	K185103979S	K212103980S
MDA2924	A966103704S	8RG2118S	A041103711S	K185103979S	K212103980S
MDA2931	A966103497S	K185103982S	A041103499S	K185103979S	K212103980S
MDA2932	A966103704S	8RG2118S	A041103711S	K185103979S	K212103980S
REV.F	N/A	8RG2137S			
MDA2934	A966103704S	8RG2118S	A041103711S	K185103979S	K212103980S
MDA2945	N/A	R028106012S	A041103711S	K185103979S	K212103980S
GE270214					
MDA2947	N/A	R028106012S	A041103711S	K185103979S	K212103980S
GE273695					
MDA3920	A966103704S	8RG3119S	A041103711S	K185103979S	K212103980S
MDA3921	A966103704S	8RG3119S	A041103711S	K185103979S	K212103980S
MDA3922	A966103704S	8RG3119S	A041103711S	K185103979S	K212103980S
MDA3925	A966103704S	8RG3119S	A041103711S	K185103979S	K212103980S
MDA3927	A966103437S	8RG3081S	A041103445S	K185103979S	K212103980S
MDA3928	A966103704S	8RG3119S	A041103711S	K185103979S	K212103980S
MDA3929	A966103437S	8RG3081S	A041103445S	K185103979S	K212103980S
MDA3946	N/A	8RG3091S	A041103711S	K185103979S	K212103980S
MDA3946-1	N/A	8RG3091S	A041103711S	K185103979S	K212103980S
MDA5909	N/A	8RG5208S	A041103711S	K185103979S	K212103980S
MDP2934	N/A	8RG2118S	A041103711S	K185103979S	K212103980S
MDP3938H	N/A	8RG3119S	A041103711S	K185103979S	K212103980S
MDP3938H-P	N/A	8RG3119S	A041103711S	K185103979S	K212103980S
MDP3939H	N/A	8RG3119S	A041103711S	K185103979S	K212103980S
MDP3939H-P	N/A	8RG3119S	A041103711S	K185103979S	K212103980S
MDP3940H	N/A	8RG3119S	A041103711S	K185103979S	K212103980S
MDP3941	N/A	8RG3095S	A041103711S	K185103979S	K212103980S
MDP3941H	N/A	8RG3095S	A041103711S	K185103979S	K212103980S
MDP3941H-1	N/A	8RG3095S	A041103711S	K185103979S	K212103980S
MDP3941H-2	N/A	8RG3095S	A041103711S	K185103979S	K212103980S

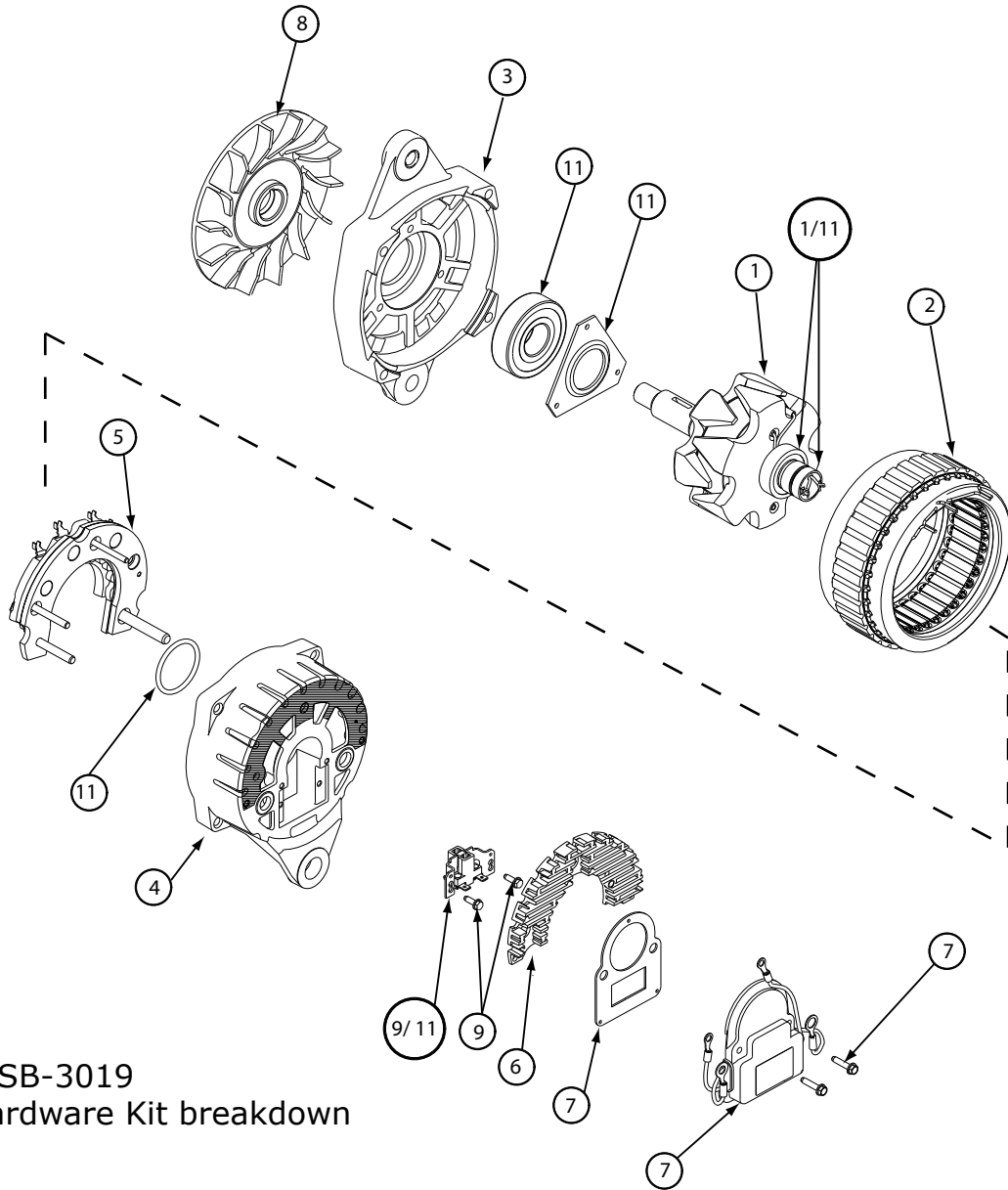
Important: The information contained in this bulletin is intended for use by trained, professional technicians who have the proper tools, equipment, and training to perform the required maintenance described above. This information is NOT intended for 'do-it-yourselfers', and you should not assume that this information applies to your equipment. If you have any questions regarding this information please visit our website at www.prestolite.com, or contact our technical service department at:

Group:	MDA/ MDP	Notes: Refer to SP1018-DWG for major component drawing. Refer to TSB-3019 for hardware kit breakdown.
Form:	SP1018	
Date:	July 7, 2017	
File:	Alternator Parts List Section	

Component View	Overhaul Kit	Capacitor	Flange / Pulley
			
Model	11	12	13
MDA2905	K183103978S	N/A	N/A
MDA2919	K183103978S	N/A	N/A
MDA2923	K183103978S	N/A	N/A
MDA2924	K183103978S	N/A	N/A
MDA2931	K183103978S	N/A	N/A
MDA2932	K183103978S	N/A	N/A
REV.F	K183103978S	N/A	N/A
MDA2934	K183103978S	N/A	N/A
MDA2945	K183103978S	N/A	K176106015S
GE270214			
MDA2947	K183103978S	N/A	K176106015S
GE273695			
MDA3920	K183103978S	A031103133S	N/A
MDA3921	K183103978S	A031103133S	N/A
MDA3922	K183103978S	N/A	N/A
MDA3925	K183103978S	N/A	N/A
MDA3927	K183103978S	N/A	N/A
MDA3928	K183103978S	A031103133S	N/A
MDA3929	K183103978S	N/A	N/A
MDA3946	K183103978S	N/A	N/A
MDA3946-1	K183103978S	N/A	K176106442S
MDA5909	K183103978S	N/A	N/A
MDP2934	K183103978S	N/A	N/A
MDP3938H	K183103978S	N/A	K172105084S
MDP3938H-P	K183103978S	N/A	K176105256S
MDP3939H	K183103978S	N/A	N/A
MDP3939H-P	K183103978S	N/A	K175105256S
MDP3940H	K183103978S	N/A	K176105263S
MDP3941	K183103978S	N/A	N/A
MDP3941H	K183103978S	R031103999S	K172105084S
MDP3941H-1	K183103978S	R031103999S	K176105256S
MDP3941H-2	K183103978S	R031103999S	K176105263S

Important: The information contained in this bulletin is intended for use by trained, professional technicians who have the proper tools, equipment, and training to perform the required maintenance described above. This information is NOT intended for 'do-it-yourselfers', and you should not assume that this information applies to your equipment. If you have any questions regarding this information please visit our website at www.prestolite.com, or contact our technical service department at:

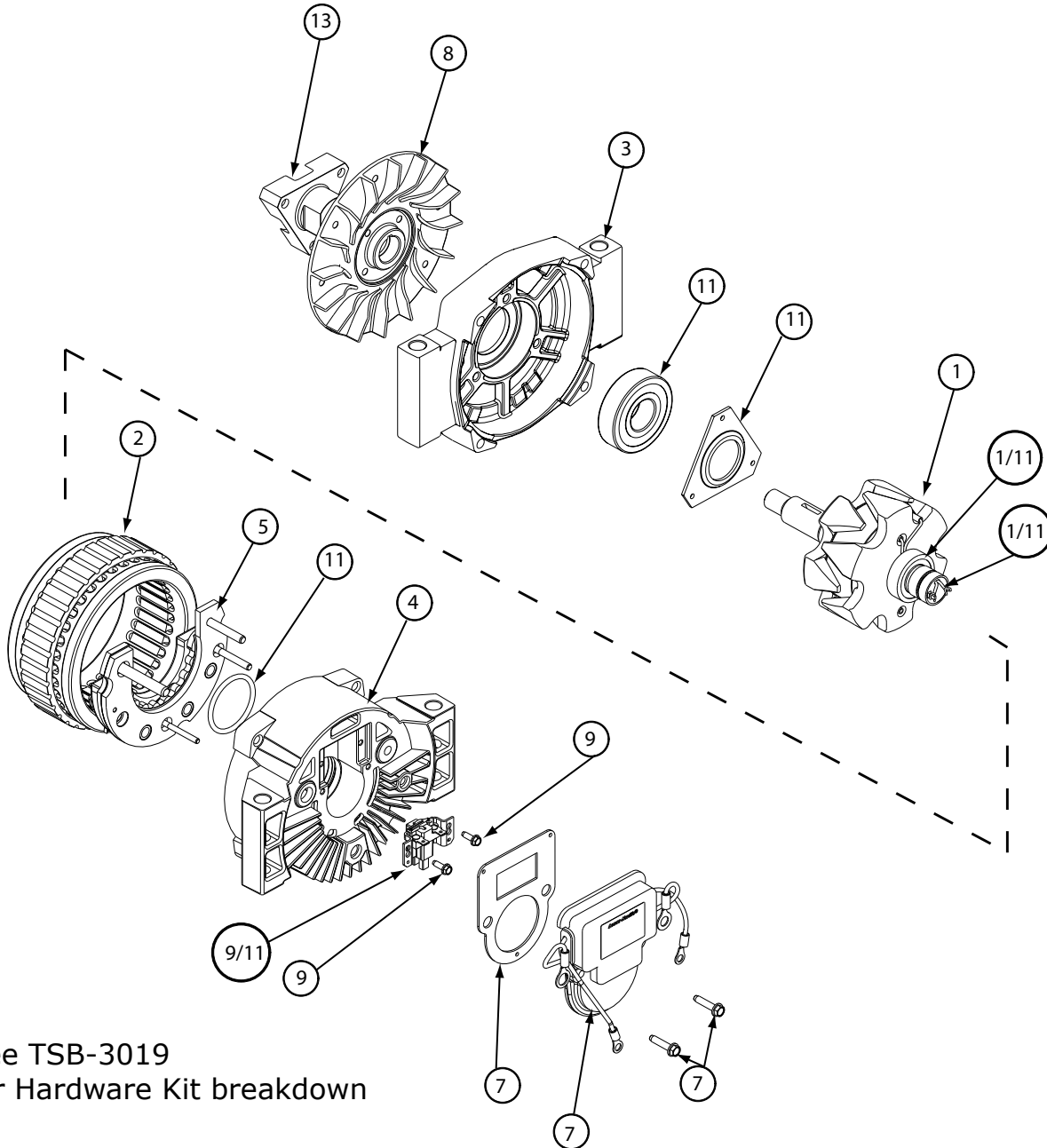
Group:	MDA/ MDP	Notes:
Form:	SP1018-DWG	Refer to SP1018 for parts breakdown.
Date:	July 7, 2017	Refer to TSB-3019 for hardware kit breakdown.
File:	Alternator Parts List Section	



See TSB-3019
for Hardware Kit breakdown

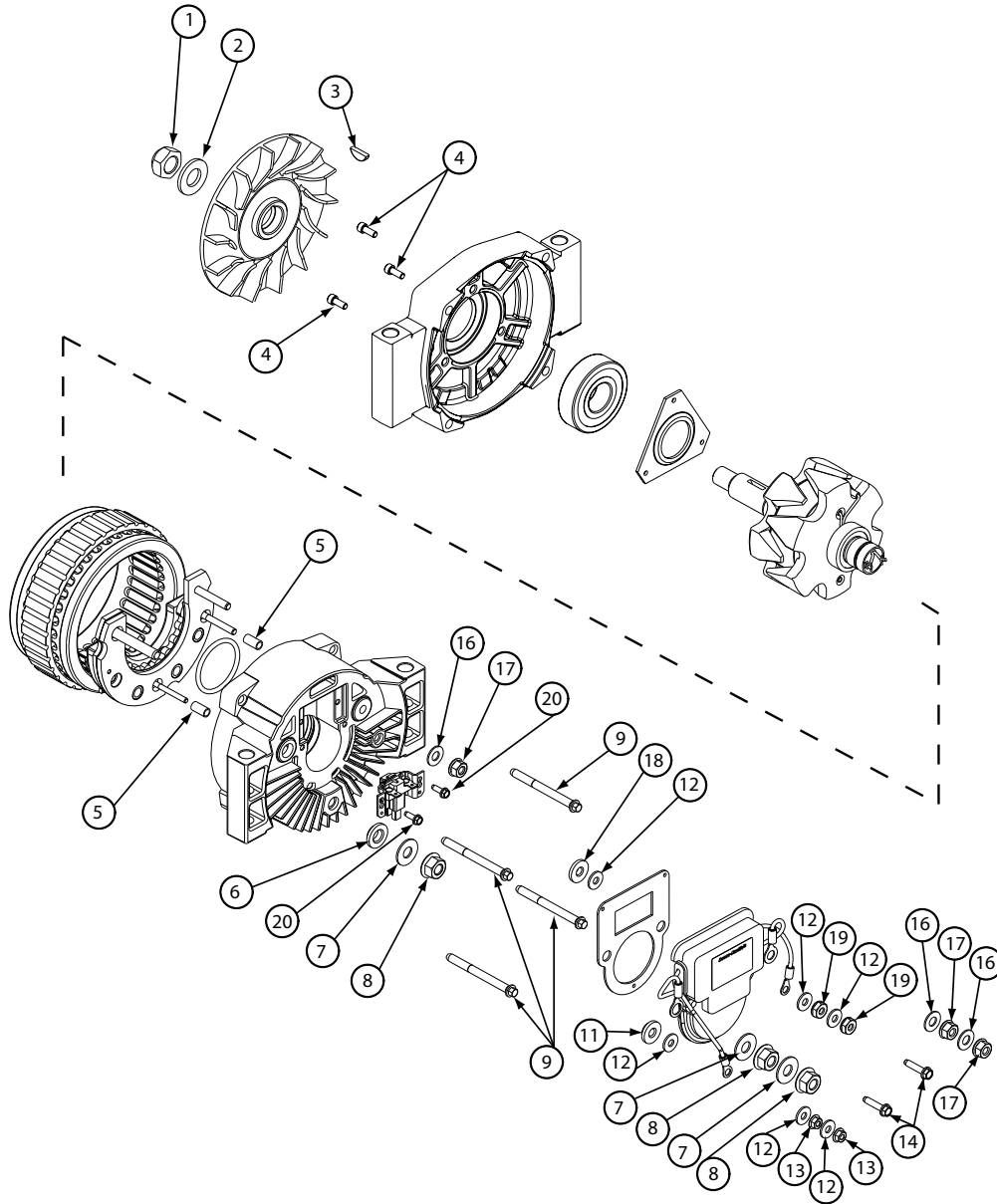
Important: The information contained in this bulletin is intended for use by trained, professional technicians who have the proper tools, equipment, and training to perform the required maintenance described above. This information is NOT intended for 'do-it-yourselfers', and you should not assume that this information applies to your equipment. If you have any questions regarding this information please visit our website at www.prestolite.com, or contact our technical service department at:

Group:	MDA/ MDP	Notes: Refer to SP1018 for parts breakdown. Refer to TSB-3019 for hardware kit breakdown.
Form:	SP1018-DWG	
Date:	July 7, 2017	
File:	Alternator Parts List Section	



Important: The information contained in this bulletin is intended for use by trained, professional technicians who have the proper tools, equipment, and training to perform the required maintenance described above. This information is NOT intended for 'do-it-yourselfers', and you should not assume that this information applies to your equipment. If you have any questions regarding this information please visit our website at www.prestolite.com, or contact our technical service department at:

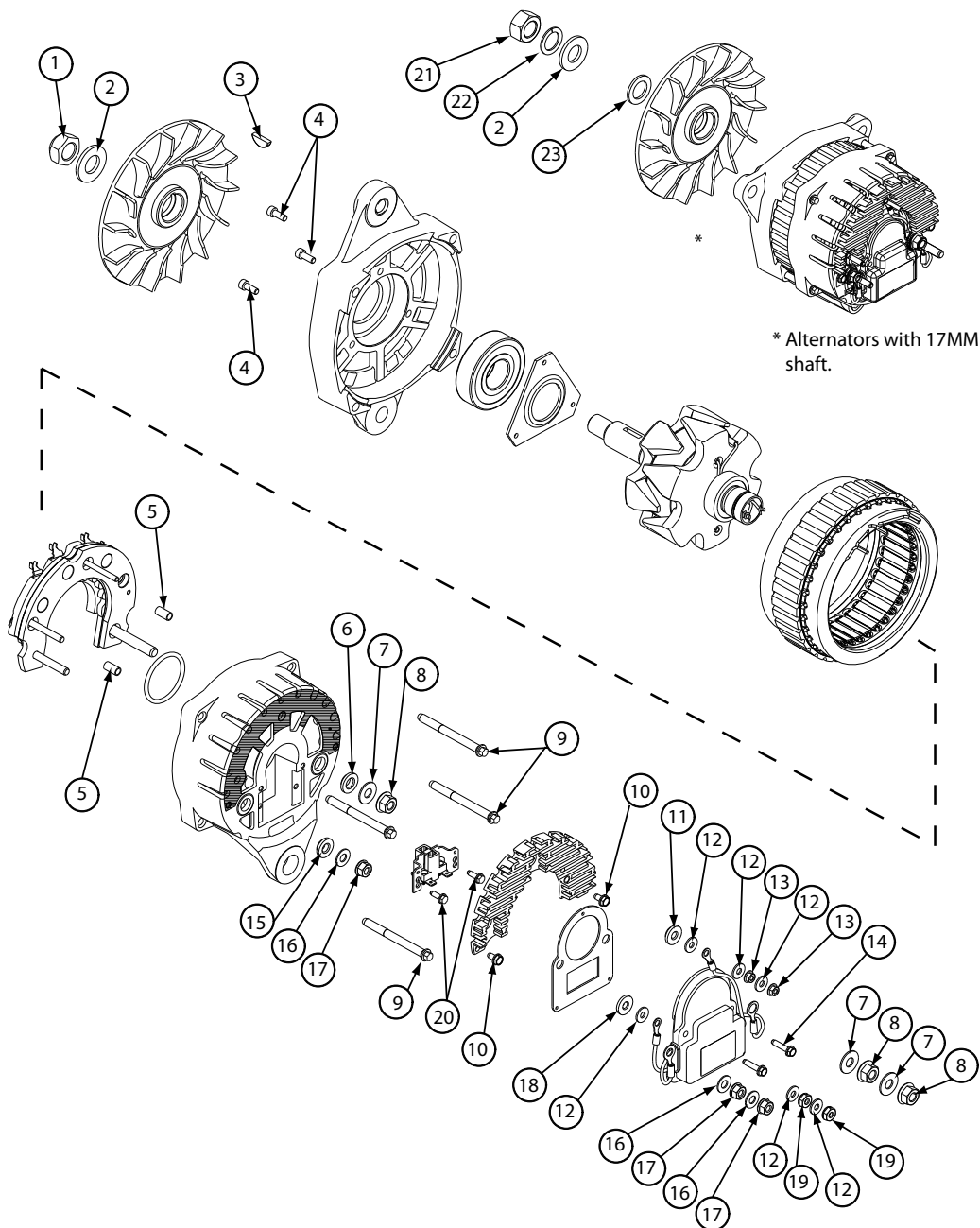
Source: Leece-Neville Heavy Duty Systems Division - Arcade, NY USA
 Date: JULY 7, 2017
 Bulletin No: TSB-3019
 Models: MDA/ MDP Alternators
 Subject: Hardware Kit for MDA/ MDP Alternators K212103980S



Important: The information contained in this bulletin is intended for use by trained, professional technicians who have the proper tools, equipment, and training to perform the required maintenance described above. This information is NOT intended for 'do-it-yourselfers'; and you should not assume that this information applies to your equipment. If you have any questions regarding this information please visit our website at www.prestolite.com, or contact our technical service department at:

Date: JULY 7, 2017

Bulletin No: TSB-3019



Note: All of these components are part of the hardware kit and not available for individual purchase.

Important: The information contained in this bulletin is intended for use by trained, professional technicians who have the proper tools, equipment, and training to perform the required maintenance described above. This information is NOT intended for 'do-it-yourselfers', and you should not assume that this information applies to your equipment. If you have any questions regarding this information please visit our website at www.prestolite.com, or contact our technical service department at:

Date: JULY 7, 2017

Bulletin No: TSB-3019

Description	Qty	Key	Where used
Nut, lock	1	1	Pulley nut
Washer, flat	1	2	Pulley nut flat washer
Woodruff Key	1	3	Key for pulley
Screw, #10-32	3	4	Front bearing retainer screws
Screw, #10-32	3	4	Front bearing retainer screws
Sleeve, insulating	2	5	Insulators for D+ and AC terminals
Insulator washer	1	6	Positive output stud insulator
Washer, guard 5/16	3	7	Positive output stud washer
Nut, M8	3	8	Positive output stud nut
Thru Bolts (2.75")	4	9	Holds alternator together
Thru Bolts (2.50")	4	9	Holds alternator together
Screw, tap #10-32	2	10	Holds heat sink to rear housing
Insulator washer	1	11	D+ stud insulator
Washer, flat #10	6	12	Washers for D+ and AC terminals
Nut, con lock, M4	2	13	D+ stud nuts
Screw, tap #8-32	2	14	Regulator attaching screws
Insulator washer	1	15	Negative output stud insulator
Washer, flat 1/4"	3	16	Negative output stud flat washer
Nut, Con lock, M6	3	17	Negative output stud Con nut
Insulator washer	1	18	AC stud insulator
Nut, Con lock, M5	2	19	AC output stud Con nut
Screw, tap # 8-32	2	20	Brush attaching screws
Hex nut, M16	1	21	Pulley nut
Washer, lock	1	22	Pulley nut, lock washer
Spacer fan	1	23	Pulley spacer

Important: The information contained in this bulletin is intended for use by trained, professional technicians who have the proper tools, equipment, and training to perform the required maintenance described above. This information is NOT intended for 'do-it-yourselfers'; and you should not assume that this information applies to your equipment. If you have any questions regarding this information please visit our website at www.prestolite.com, or contact our technical service department at: